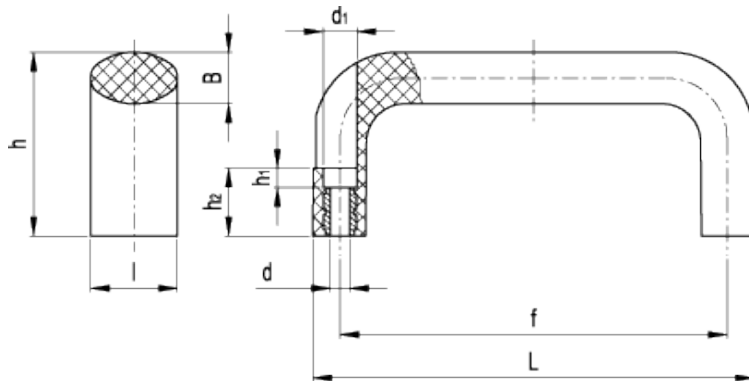


M.643 FM

Handles
(front mounting)



ELESA Original design



technical informations

Material

High resilience polypropylene based (PP) technopolymer. Resistant to solvents, oils, greases and other chemical agents.

Colour

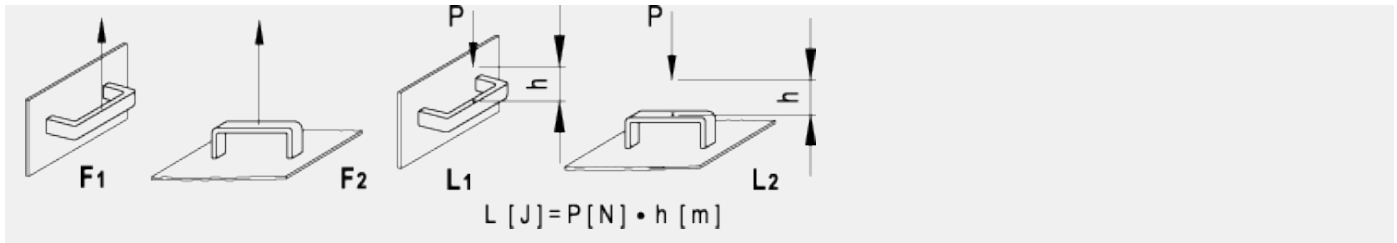
Black, matte finish.

Assembly

Brass bosses, through holes for cylindrical-head screws with hexagon socket.

Technical data

Tensile stress and impact strength: F1, F2, L1 and L2 values reported in the table are the result of breaking tests carried out with the appropriate dynamometric equipment under the test conditions shown in the figure with ambient temperature.



| Standard Elements | | Main dimensions | | | | | Mounting holes | | | | F ₁ | F ₂ | L ₁ | L ₂ | Weight |
|-------------------|------------------|-----------------|---------|----|----|----|----------------|----------------|----------------|----------------|----------------|----------------|----------------|----------------|--------|
| Code | Description | L | f | h | B | l | d | d ₁ | h ₁ | h ₂ | [N] | [N] | [J] | [J] | g |
| 137311 | M.643 FM/140 B-6 | 134 | 117±0.5 | 49 | 15 | 25 | 6.4 | 10.5 | 6 | 21 | 2000 | 2800 | 11 | 9 | 64 |
| 137351 | M.643 FM/200 B-6 | 196 | 179±1 | 57 | 16 | 27 | 6.4 | 10.5 | 6 | 21 | 1900 | 1900 | 11 | 13 | 89 |



ELESA and GANTER models all rights reserved in accordance with the law. Always mention the source when reproducing our drawings.

STANDARD MACHINE ELEMENTS WORLDWIDE